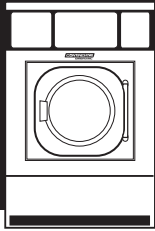


Architectural/Mechanical Product Specifications



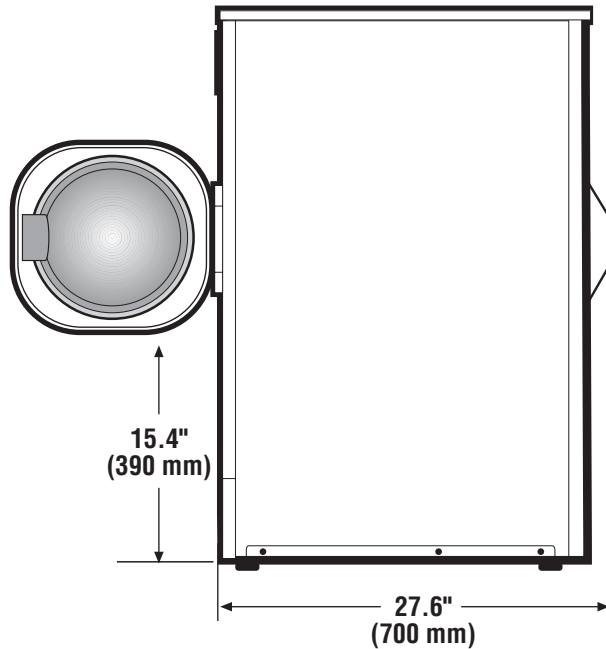
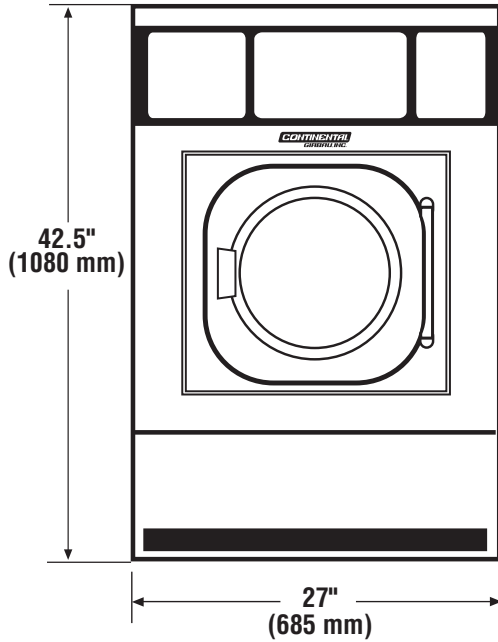
GIRBAU, INC.

2500 State Road 44 • Oshkosh, WI 54904
 920.231.8222 • FAX 920.231.4666
www.continentalgirbau.com



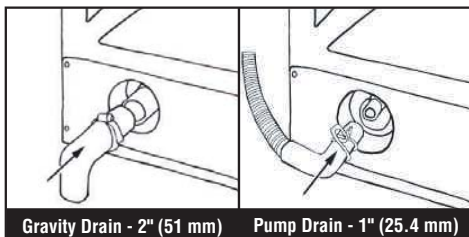
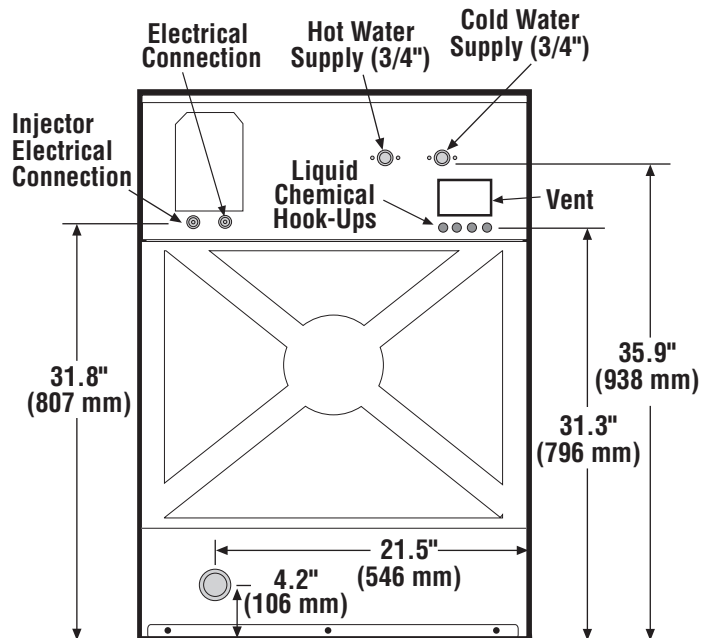
EH020

**E-SERIES 20-POUND CAPACITY
 HIGH PERFORMANCE WASHER-EXTRACTOR
 FOR ON-PREMISE LAUNDRIES**



Electrical Data

Voltage	Wire Config.	Amp Protection
120/60/1	3-prong cord	15



* Specifications subject to change without notice or obligation. Call Continental Girbau, Inc for dimensions not shown or for clarification.



On-Premise Laundry EH020 Product Technical Specifications

Capacity	20 lbs.	(8 kg.)
Cylinder Diameter	21.1 in.	(536 mm.)
Cylinder Depth	13.8 in.	(351 mm.)
Cylinder Volume	2.8 cu. ft.	(79.2 dm ³)
Net Weight	279 lbs.	(127 kg.)
Crated Weight	301 lbs.	(137 kg.)
Height	42.5 in.	(1080 mm.)
Overall Depth	27.6 in.	(700 mm.)
Width	27 in.	(685 mm.)
Door Opening	12.7 in.	(322 mm.)
Floor to Door	15.4 in.	(390 mm.)
Washing Speed	50 rpm	
Spin Speed	50/100/580/690/780/970 rpm	
G-Force	0.75/3/101/143/183/300	
Static Force Transmitted	340 lbs.	(154 kg.)
Dynamic Force Transmitted	115 lbs.	(52 kg.)
Frequency of the Dynamic Force	16.2 Hz	
Drain Diameter	Pump Drain	1 in. (25.4 mm.)
	Gravity Drain	2 in. (51 mm.)
Water Inlets (2)	3/4 in. (19 mm.)	
Recommended Water Pressure	30-60 PSI (2-4 bar)	
Water Flow	8 gal/min. (30 l/min.)	
Motor Power	0.8 Kw	
Optional Electric Heating Power	contact manufacturer for specifications	
Shipping Dimensions (W x D x H)	28.3 x 29.1 x 47.7 in.	(720 x 740 x 1212 mm.)
Modified Energy Factor (MEF)*	2.21	
Water Consumption Factor (WCF)*	5.03	



* Modified Energy Factor (MEF) measured in cubic feet per kilowatt-hour per cycle. Water Consumption Factor (WCF) measured in gallons per cycle per cubic feet. MEF and WCF statistics are according to DOE test results report by Intertek, an independent testing laboratory, dated February 27, 2007.

** Specifications subject to change without notice or obligation. Call Continental Girbau, Inc for dimensions not shown or for clarification.

