

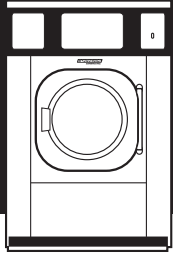
Architectural/Mechanical Product Specifications



GIRBAU, INC.

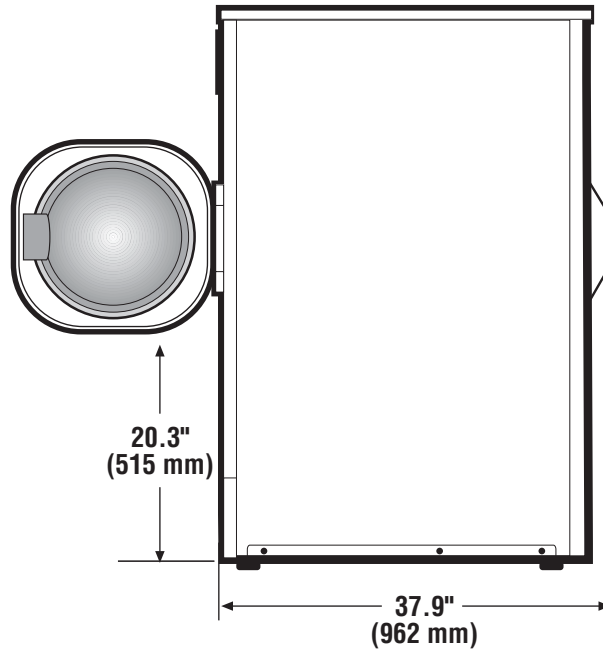
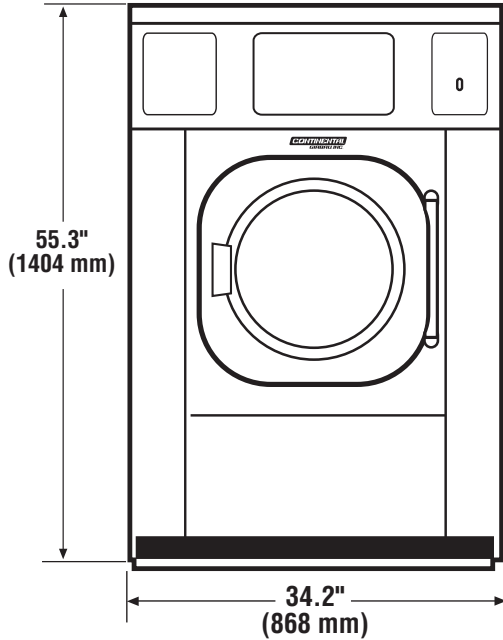
2500 State Road 44 • Oshkosh, WI 54904
920.231.8222 • FAX 920.231.4666

www.continentalgirbau.com

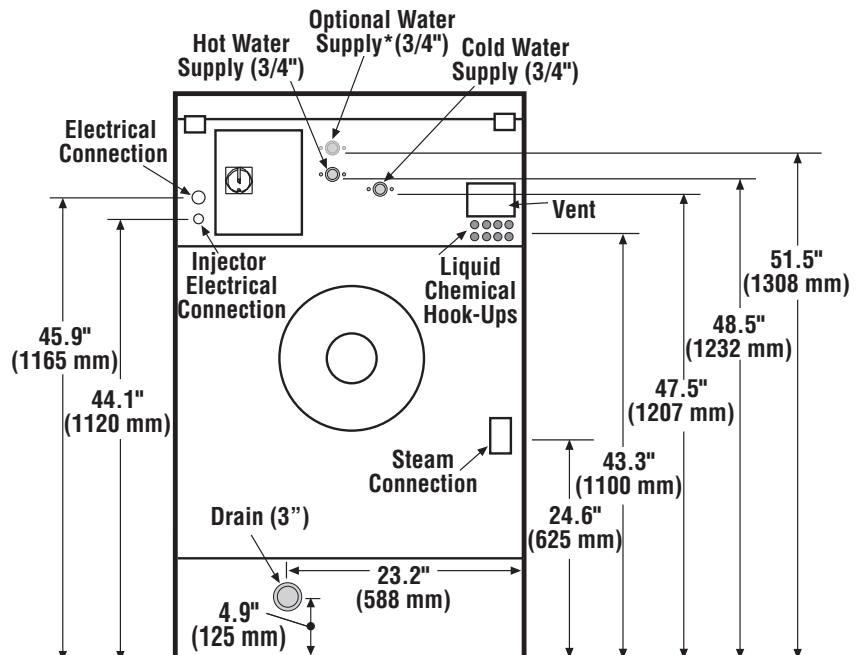


EH040

**E-SERIES 40-POUND CAPACITY
HIGH PERFORMANCE WASHER-EXTRACTOR
FOR ON-PREMISE LAUNDRIES**



Electrical Data		
Voltage	Wire Config	Amp Protection
208-240/60/1	2W+G	10



* Optional Water Supply only available on Intelli Control models.

** Specifications subject to change without notice or obligation. Call Continental Girbau, Inc for dimensions not shown or for clarification.



On-Premise Laundry EH040 Product Technical Specifications

Capacity	40 lbs.	(17.3 kg)
Cylinder Diameter	27.6 in.	(700 mm.)
Cylinder Depth	17.7 in.	(450 mm.)
Cylinder Volume	6.1 cu. ft.	(173 dm ³)
Crated Weight	1091 lbs.	(495 kg.)
Net Weight	1049 lbs.	(476 kg.)
Width	34.2 in.	(868 mm.)
Overall Depth	37.9 in.	(962 mm.)
Height	55.3 in.	(1404 mm.)
Door Opening	16.8 in.	(426 mm.)
Floor to Door	20.3 in.	(515 mm.)
Washing Speed	Logi Control	44 rpm
	Inteli Control	25/34/40/45 rpm
Spin Speeds	44/100/351/550/750/950 rpm	
G-Force	0.75/4/48/119/221/354	
Static Force Transmitted	1237 lbs.	(561 kg.)
Dynamic Force Transmitted	212 lbs.	(96 kg.)
Frequency of the Dynamic Force	15.8 Hz	
Drain Diameter	3 in.	(76 mm.)
Water Inlets (2)	3/4 in.	(19 mm.)
Water Pressure	7-87 PSI	(0.5-6 bar)
Water Flow	16 gal/min.	(60 l/min.)
Steam Connection	1/2 in.	(12.7 mm.)
Steam Pressure	29-87 PSI	(2-6 bar)
Steam Flow	176 lbs/h	(80 kg/h)
Motor Power	1.6 kW	
Electric Heating Power (optional)	please contact manufacturer for specifications	
Shipping Dimensions (W x D x H)	35.3 x 40 x 61.6 in.	(897 x 1017 x 1565 mm.)
Modified Energy Factor (MEF)*	1.96	
Water Consumption Factor (WCF)*	5.04	

* Modified Energy Factor (MEF) measured in cubic feet per kilowatt-hour per cycle. Water Consumption Factor (WCF) measured in gallons per cycle per cubic feet. MEF and WCF statistics are according to DOE test results report by Intertek, an independent testing laboratory, dated February 27, 2007.

** Specifications subject to change without notice or obligation. Call Continental Girbau, Inc for dimensions not shown or for clarification.

