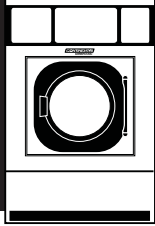


Architectural/Mechanical Product Specifications

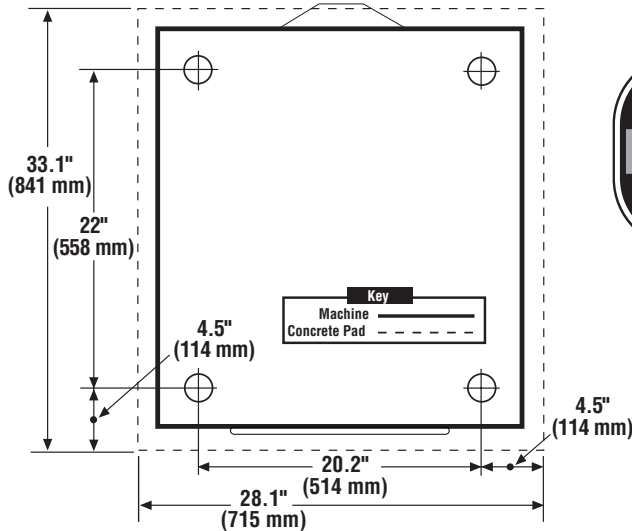


2500 State Road 44 • Oshkosh, WI 54904
 920.231.8222 • FAX 920.231.4666
www.continentalgirbau.com

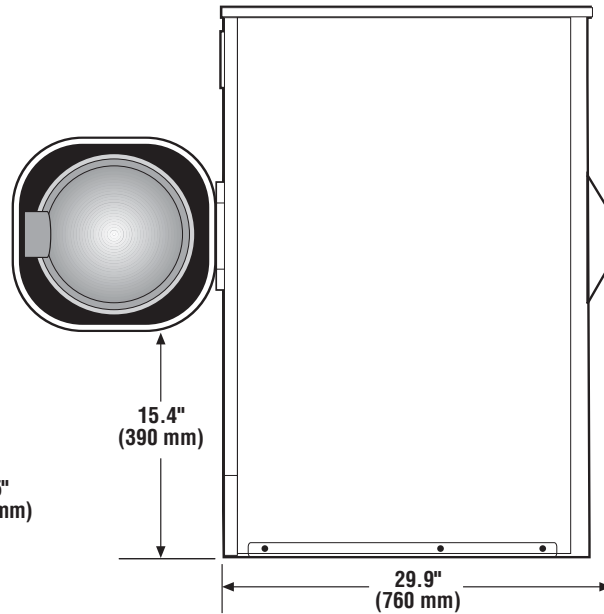


EM025

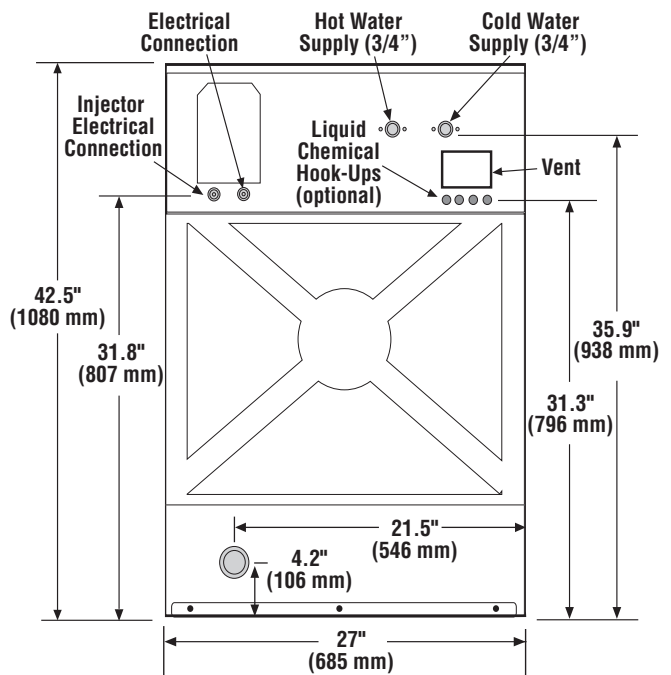
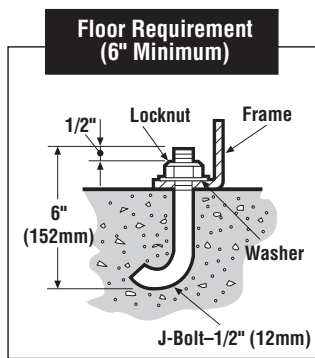
**M-SERIES 25-POUND CAPACITY
 HARD-MOUNT WASHER-EXTRACTOR
 FOR ON-PREMISE LAUNDRIES**



MOUNTING BOLT LOCATION



SIDE VIEW



REAR VIEW

ELECTRICAL DATA

Standard Voltages—Hot Water and Steam		
Voltage	Wire Config	Amp Protection
120/60/1	3-prong cord	15
Voltages—Electric Auxilliary Heat		
Voltage	Wire Config	Amp Protection
208/60/1	2W+Gnd/12	20
240/60/1	2W+Gnd/12	25

* Specifications subject to change without notice or obligation. Call Continental Girbau, Inc for dimensions not shown or for clarification.

EM025 Product Technical Specifications for On-Premise Laundries

Capacity	25 lbs.	(11 kg.)
Cylinder Diameter	21.1 in.	(536 mm.)
Cylinder Depth	17.3 in.	(439 mm.)
Cylinder Volume	3.5 cu. ft.	(99 dm ³)
Net Weight	317 lbs.	(144 kg.)
Crated Weight	342 lbs.	(155 kg.)
Machine Width	27 in.	(685 mm.)
Machine Depth	29.9 in.	(760 mm.)
Machine Height	42.5 in.	(1080 mm.)
Door Opening	12.7 in.	(322 mm.)
Floor to Door	15.4 in.	(390 mm.)
Shipping Dimensions (W x D x H)	27.8 x 32.7 x 49.2 in.	(707 x 830 x 1250 mm.)
Washing Speed	50 rpm	
Spin Speeds	50/100/300/400/500/600 rpm	
G-Force	0.75/3/27/48/75/108	
Static Force Transmitted	428 lbs.	(194 kg.)
Dynamic Force Transmitted	514 lbs.	(233 kg.)
Available Voltages/Amp/Wire Config.	15 Amp/3-prong cord 20 Amp/2-wire + ground 25 Amp/2-wire + ground	
Hot Water or Steam	120/60/1	
Electric Auxilliary Heat	208/60/1	
Electric Auxilliary Heat	240/60/1	
Drain Diameter	2 in.	(51 mm.)
Water Inlets (2)	3/4 in.	(19 mm.)
Recommended Water Pressure	30-60 PSI	(2-4 bar)
Water Flow	8 gal/min.	(30 l/min.)
Motor Power	0.35 kW	
Electric Heating Power Output (optional)	3.3 kW	
208/60/1	4.3 kW	
240/60/1		

* Specifications subject to change without notice or obligation. Call Continental Girbau, Inc for dimensions not shown or for clarification.

