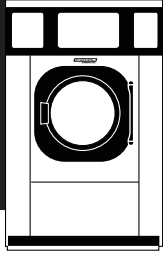


# Architectural/Mechanical Product Specifications

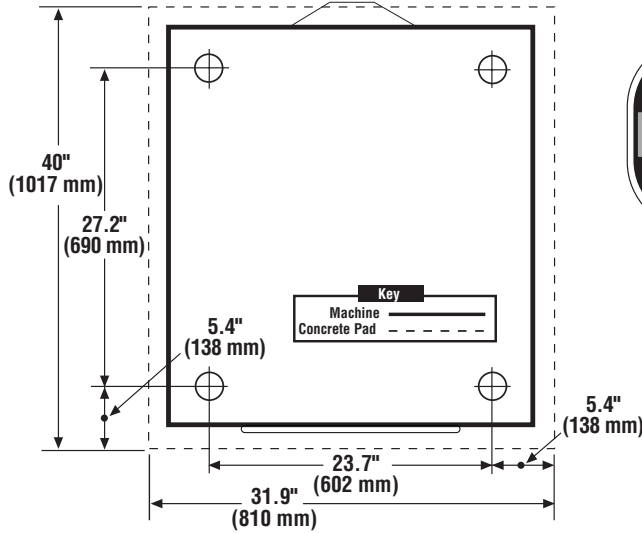


2500 State Road 44 • Oshkosh, WI 54904  
 920.231.8222 • FAX 920.231.4666  
[www.continentalgirbau.com](http://www.continentalgirbau.com)

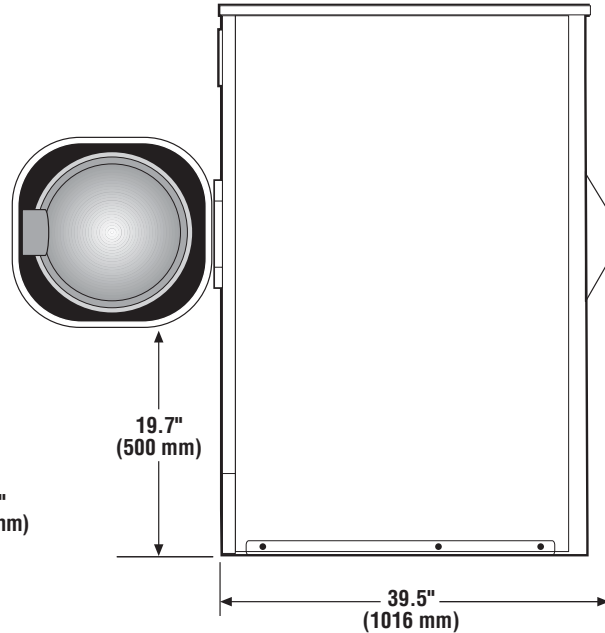


# EM040

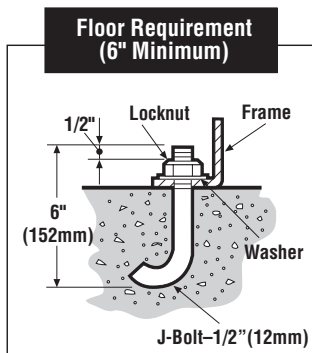
**M-SERIES 40-POUND CAPACITY  
 HARD-MOUNT WASHER-EXTRACTOR  
 FOR ON-PREMISE LAUNDRIES**



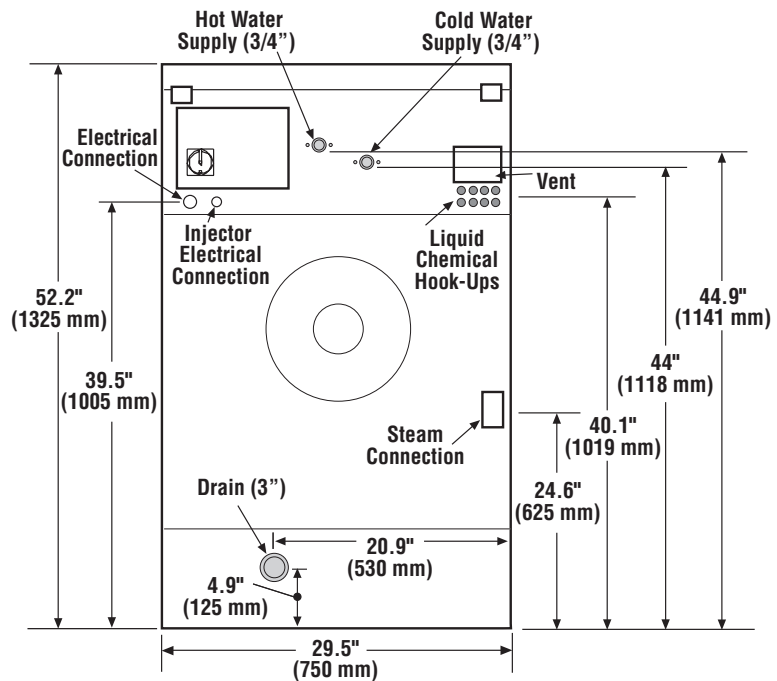
**MOUNTING BOLT LOCATION**



**SIDE VIEW**



ELECTRICAL DATA		
Standard Voltages—Hot Water and Steam		
Voltage	Wire Config	Amp Protection
208-240/60/1	2W+Gnd/16	6
Voltages—Electric Auxiliary Heat		
Voltage	Wire Config	Amp Protection
208/60/1	2W+Gnd/6	45
240/60/1	2W+Gnd/6	60



**REAR VIEW**

\* Specifications subject to change without notice or obligation. Call Continental Girbau, Inc for dimensions not shown or for clarification.

## EM040 Product Technical Specifications for On-Premise Laundries

Capacity	40 lbs.	(17 kg)
Cylinder Diameter	24.4 in.	(620 mm.)
Cylinder Depth	21.6 in.	(549 mm.)
Cylinder Volume	5.9 cu. ft.	(166 dm <sup>3</sup> )
Net Weight	622 lbs.	(282 kg.)
Crated Weight	683 lbs.	(310 kg.)
Machine Width	29.5 in.	(750 mm.)
Machine Depth	39.5 in.	(1016 mm.)
Machine Height	52.2 in.	(1325 mm.)
Door Opening	12.9 in.	(327 mm.)
Floor to Door	19.7 in.	(500 mm.)
Shipping Dimensions (W x D x H)	30.6 x 42.4 x 58.5 in.	(777 x 1078 x 1485 mm.)
Washing Speed	46.5 rpm	
Spin Speeds	46.5/100/300/400/500/600 rpm	
G-Force	0.75/3/31/56/87/125	
Static Force Transmitted	809 lbs.	(367 kg.)
Dynamic Force Transmitted	1093 lbs.	(496 kg.)
Available Voltages/Amp/Wire Config. Hot Water or Steam 208-240/60/1 Electric Auxilliary Heat 208/60/1 Electric Auxilliary Heat 240/60/1	6 Amp/2-wire + ground 45 Amp/2-wire + ground 60 Amp/2-wire + ground	
Drain Diameter	3 in.	(76 mm.)
Water Inlets (2)	3/4 in.	(19 mm.)
Recommended Water Pressure	30-60 PSI	(2-4 bar)
Water Flow	16 gal/min.	(60 l/min.)
Steam Connection	1/2 in.	(12.7 mm.)
Steam Pressure (optional)	29-87 PSI	(2-6 bar)
Steam Flow (optional)	132 lbs/h	(60 kg/h)
Motor Power	0.55 kW	
Electric Heating Power Output (optional) 208/60/1 240/60/1	8.0 kW 10.5 kW	

\* Specifications subject to change without notice or obligation. Call Continental Girbau, Inc for dimensions not shown or for clarification.

