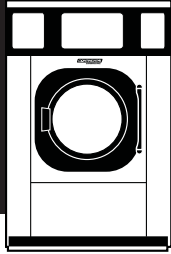


Architectural/Mechanical Product Specifications

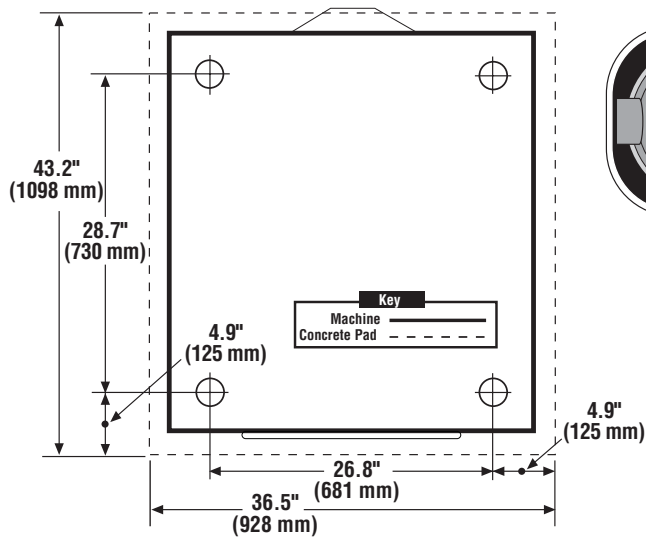


2500 State Road 44 • Oshkosh, WI 54904
 920.231.8222 • FAX 920.231.4666
www.continentalgirbau.com

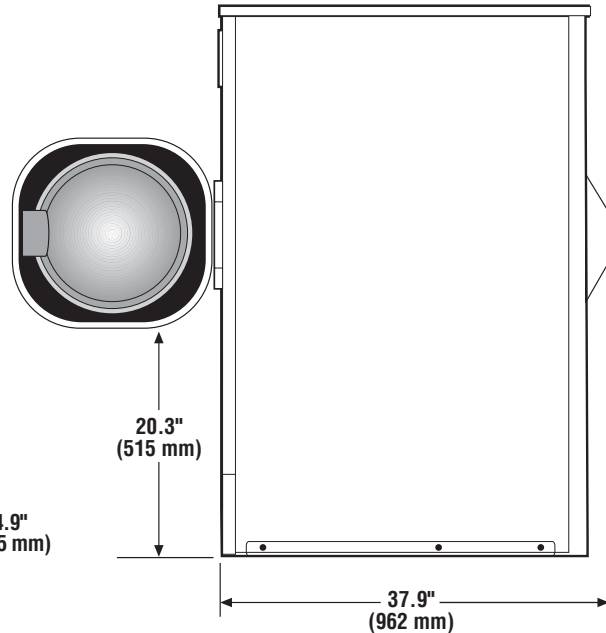


EM055

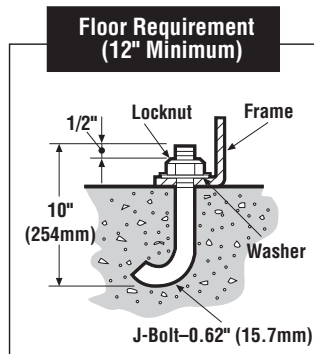
**M-SERIES 55-POUND CAPACITY
 HARD-MOUNT WASHER-EXTRACTOR
 FOR ON-PREMISE LAUNDRIES**



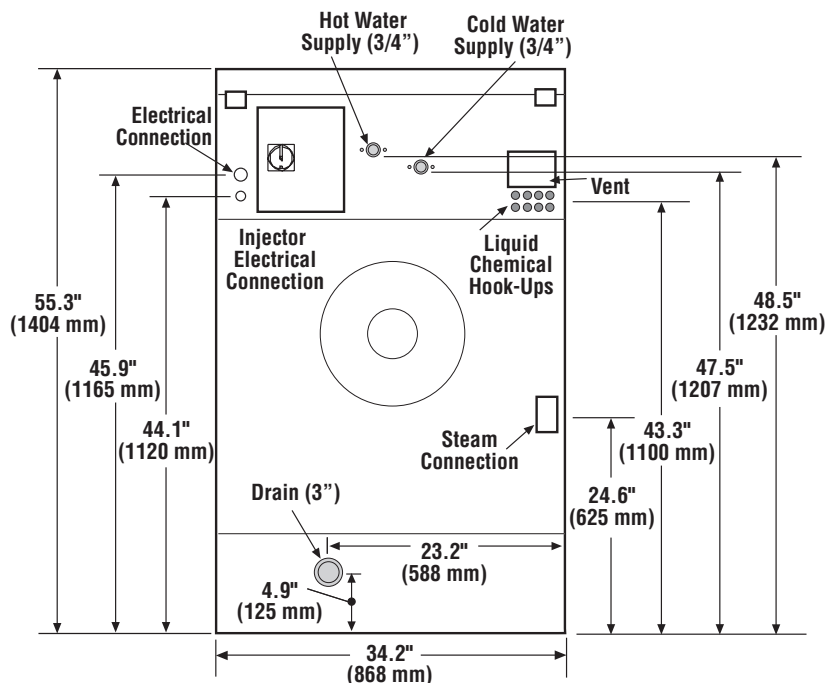
MOUNTING BOLT LOCATION



SIDE VIEW



| ELECTRICAL DATA | | |
|---------------------------------------|-------------|----------------|
| Standard Voltages—Hot Water and Steam | | |
| Voltage | Wire Config | Amp Protection |
| 208-240/60/1 | 2W+Gnd/16 | 6 |
| Voltages—Electric Auxilliary Heat | | |
| Voltage | Wire Config | Amp Protection |
| 208/60/1 | 3W+Gnd/6 | 63 |
| 240/60/1 | 3W+Gnd/6 | 63 |



REAR VIEW

* Specifications subject to change without notice or obligation. Call Continental Girbau, Inc for dimensions not shown or for clarification.

EM055 Product Technical Specifications for On-Premise Laundries

| | | |
|--|---|-------------------------|
| Capacity | 55 lbs. | (24 kg) |
| Cylinder Diameter | 27.6 in. | (700 mm.) |
| Cylinder Depth | 23.1 in. | (586 mm.) |
| Cylinder Volume | 8 cu. ft. | (226 dm ³) |
| Net Weight | 364 lbs. | (802 kg.) |
| Crated Weight | 394 lbs. | (869 kg.) |
| Machine Width | 34.2 in. | (868 mm.) |
| Machine Depth | 43.2 in. | (1098 mm.) |
| Machine Height | 55.3 in. | (1404 mm.) |
| Door Opening | 16.8 in. | (426 mm.) |
| Floor to Door | 20.3 in. | (515 mm.) |
| Shipping Dimensions (W x D x H) | 35.3 x 45.4 x 61.6 in. | (897 x 1153 x 1565 mm.) |
| Washing Speed | 43.6 rpm | |
| Spin Speeds | 43.6/100/300/400/500/600 rpm | |
| G-Force | 0.75/4/35/63/98/141 | |
| Static Force Transmitted | 1056 lbs. | (479 kg.) |
| Dynamic Force Transmitted | 1739 lbs. | (789 kg.) |
| Available Voltages/Amp/Wire Config. Hot Water or Steam 208-240/60/1 Electric Auxilliary Heat 208/60/1 Electric Auxilliary Heat 240/60/1 | 6 Amp/2-wire + ground 63 Amp/3-wire + ground 63 Amp/3-wire + ground | |
| Drain Diameter | 3 in. | (76 mm.) |
| Water Inlets (2) | 3/4 in. | (19 mm.) |
| Recommended Water Pressure | 30-60 PSI | (2-4 bar) |
| Water Flow | 16 gal/min. | (60 l/min.) |
| Steam Connection | 1/2 in. | (12.7 mm.) |
| Steam Pressure (optional) | 29-87 PSI | (2-6 bar) |
| Steam Flow (optional) | 176 lbs/h | (80 kg/h) |
| Motor Power | 0.62 kW | |
| Electric Heating Power Output (optional) 208/60/1 240/60/1 | 15.3 kW 20.1 kW | |

* Specifications subject to change without notice or obligation. Call Continental Girbau, Inc for dimensions not shown or for clarification.

