

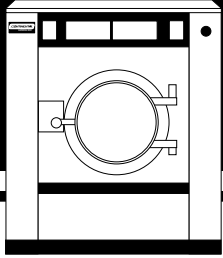


**GIRBAU, INC.**

2500 State Road 44 • Oshkosh, WI 54904

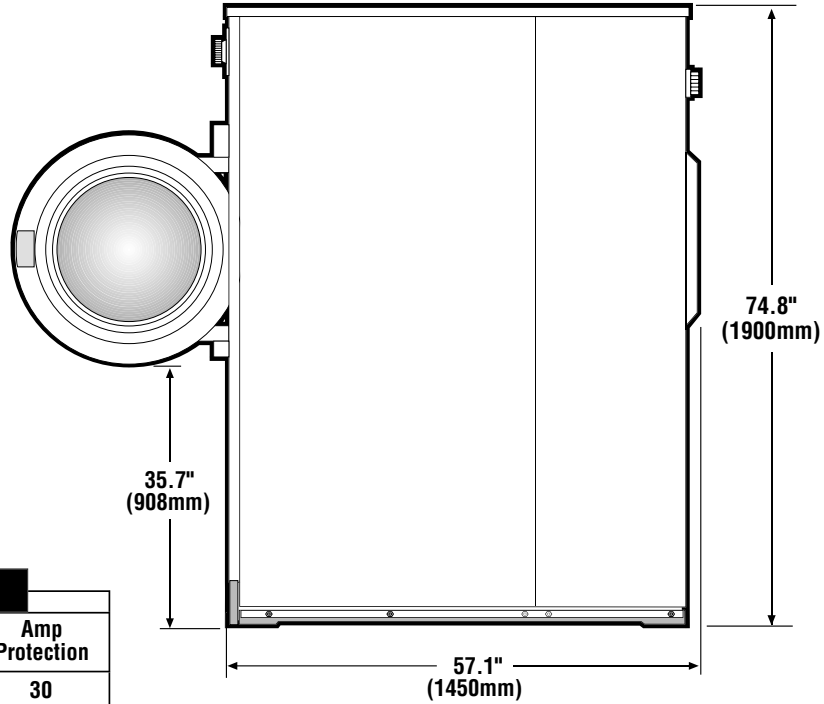
(920) 231-8222 • FAX (920) 231-4666

www.cont-girbau.com

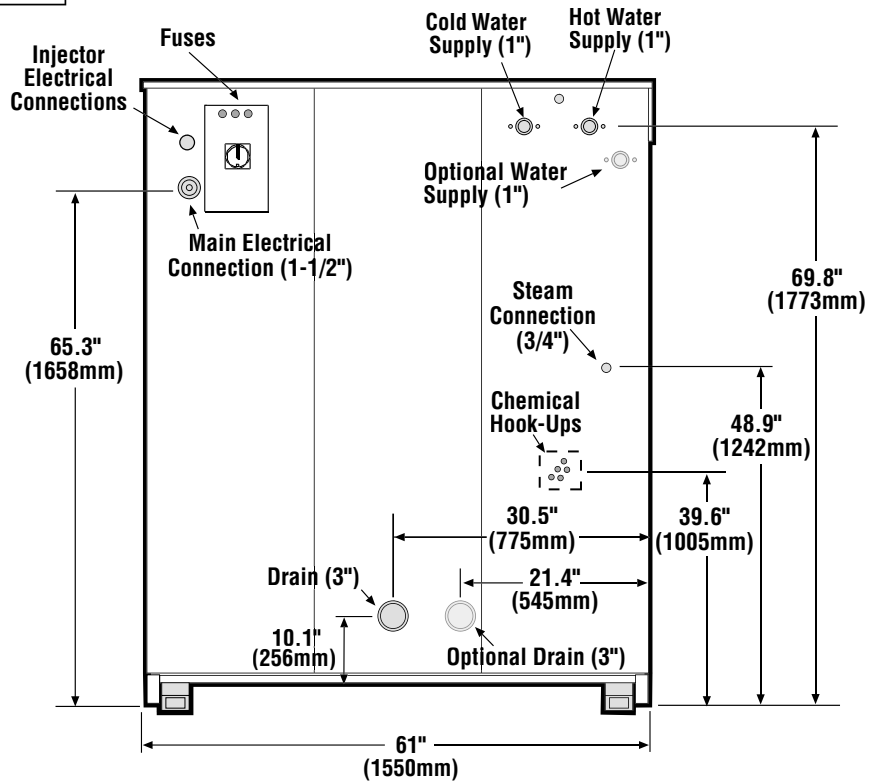


# H2130

**HIGH-PERFORMANCE  
WASHER-EXTRACTOR**



Electrical Data		
Voltage	Wire Config.	Amp Protection
208-240/60/3	3W+G	30
440/60/3	3W+G	15



\*Specifications subject to change without notice.

## H2130 Product Technical Specifications

Capacity	130 lbs.	(59 kg.)
Cylinder Diameter	42.5 in.	(1080 mm.)
Cylinder Depth	24.4 in.	(621 mm.)
Cylinder Volume	20.1 cu. ft.	(569 dm <sup>3</sup> )
Crated Weight	4575 lbs.	(2075 kg.)
Net Weight	3979 lbs.	(1805 kg.)
Height	74.8 in.	(1900 mm.)
Overall Depth	57.1 in.	(1450 mm.)
Width	61 in.	(1550 mm.)
Floor to Door	35.7 in.	(908 mm.)
Washing Speed	35 rpm	
Spin Speeds	60.5/400/550/700/800 rpm	
G-Force	2.2/97/183/296/387	
Drain Diameter	3 in.	(76 mm.)
Water Inlets	1 in.	(25.4 mm.)
Water Pressure	7-87 PSI	(0.5-6 bar)
Water Flow	26 gal/min.	(100 l/min.)
Steam Connection	3/4 in.	(19 mm.)
Steam Pressure (optional)	29-87 PSI	(2-6 bar)
Steam Flow (optional)	397 lbs/h	(180 kg/h)
Motor Power	7.3 kVA	
Electric Heating Power (optional)	40 kVA	
Shipping Dimensions (W x D x H)	66.5 x 62.6 x 85 in.	(1690 x 1590 x 2160 mm.)

## Chemical Hook-Up Information

TERMINAL CONNECTIONS ALL MODELS		CHEMICAL INJECTION (Dosing)
		PM MODEL TERMINAL CONNECTIONS
Supply #	Conn. #	
5	X5-6	47
4	X5-5	46
3	X5-4	45
2	X5-3	44
1	X5-2	43
Common	X5-1	207



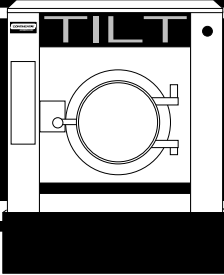


**GIRBAU, INC.**

2500 State Road 44 • Oshkosh, WI 54904

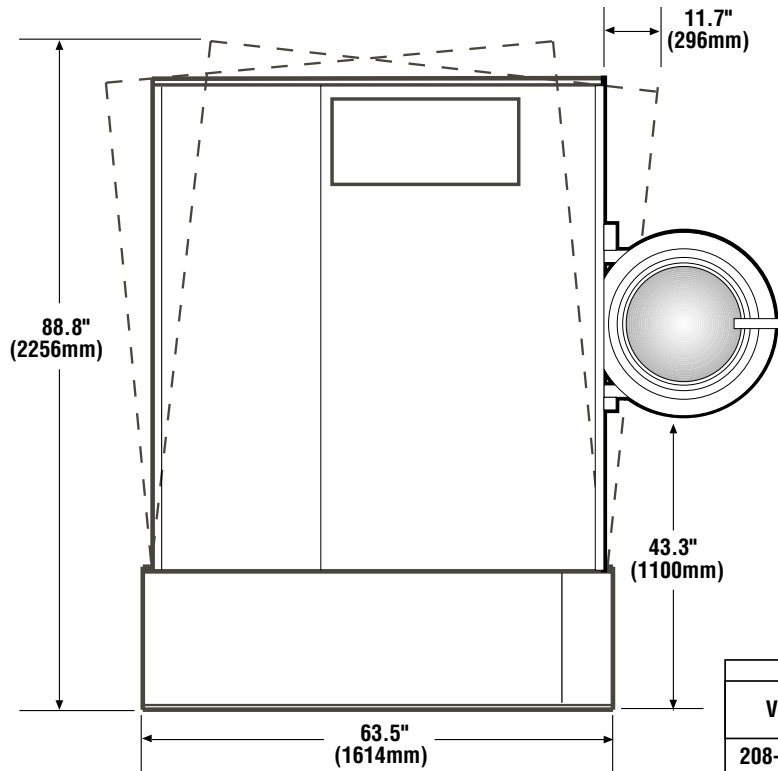
(920) 231-8222 • FAX (920) 231-4666

www.cont-girbau.com



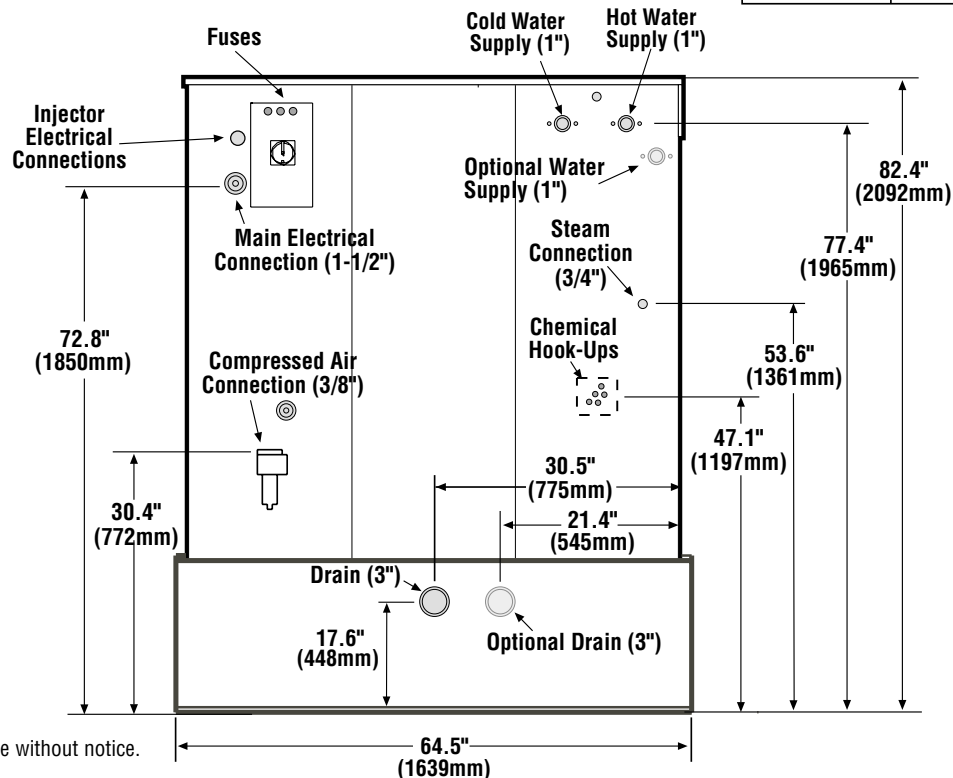
# H2130 tilt

**HIGH-PERFORMANCE  
WASHER-EXTRACTOR**



**Electrical Data**

Voltage	Wire Config.	Amp Protection
208-240/60/3	3W+G	32
440/60/3	3W+G	16



\*Specifications subject to change without notice.

## H2130 tilt Product Technical Specifications

Capacity	130 lbs.	(59 kg.)
Cylinder Diameter	42.5 in.	(1080 mm.)
Cylinder Depth	24.4 in.	(621 mm.)
Cylinder Volume	20.1 cu. ft.	(569 dm <sup>3</sup> )
Crated Weight (Total of Machine Crate and Tilt Crate)	5492 lbs.	(2491 kg.)
Net Weight	4689 lbs.	(2127 kg.)
Height	82.4 in.	(2092 mm.)
Overall Depth	63.5 in.	(1614 mm.)
Width	64.5 in.	(1639 mm.)
Floor to Door (h)	43.3 in.	(1100 mm.)
Washing Speed	35 rpm	
Spin Speeds	60.5/400/550/700/800 rpm	
G-Force	2.2/97/183/296/387	
Drain Diameter	3 in.	(76 mm.)
Water Inlets	1 in.	(25.4 mm.)
Water Pressure	7-87 PSI	(0.5-6 bar)
Water Flow	26 gal/min.	(100 l/min.)
Steam Connection	3/4 in.	(19 mm.)
Steam Pressure (optional)	29-87 PSI	(2-6 bar)
Steam Flow (optional)	397 lbs/h	(180 kg/h)
Compressed Air Connection	3/8 in.	(10 mm.)
Compressed Air Pressure	98 PSI	(7 bar)
Compressed Air Flow	7.1 cfm	(200 l/min.)
Motor Power	7.3 kVA	
Electric Heating Power (optional)	40 kVA	
Shipping Dimensions (W x D x H)	66.5 x 62.6 x 85 in.	(1690 x 1590 x 2160 mm.)

## Chemical Hook-Up Information

TERMINAL CONNECTIONS ALL MODELS		CHEMICAL INJECTION (Dosing)
		PM MODEL TERMINAL CONNECTIONS
Supply #	Conn. #	
5	X5-6	47
4	X5-5	46
3	X5-4	45
2	X5-3	44
1	X5-2	43
Common	X5-1	207

